

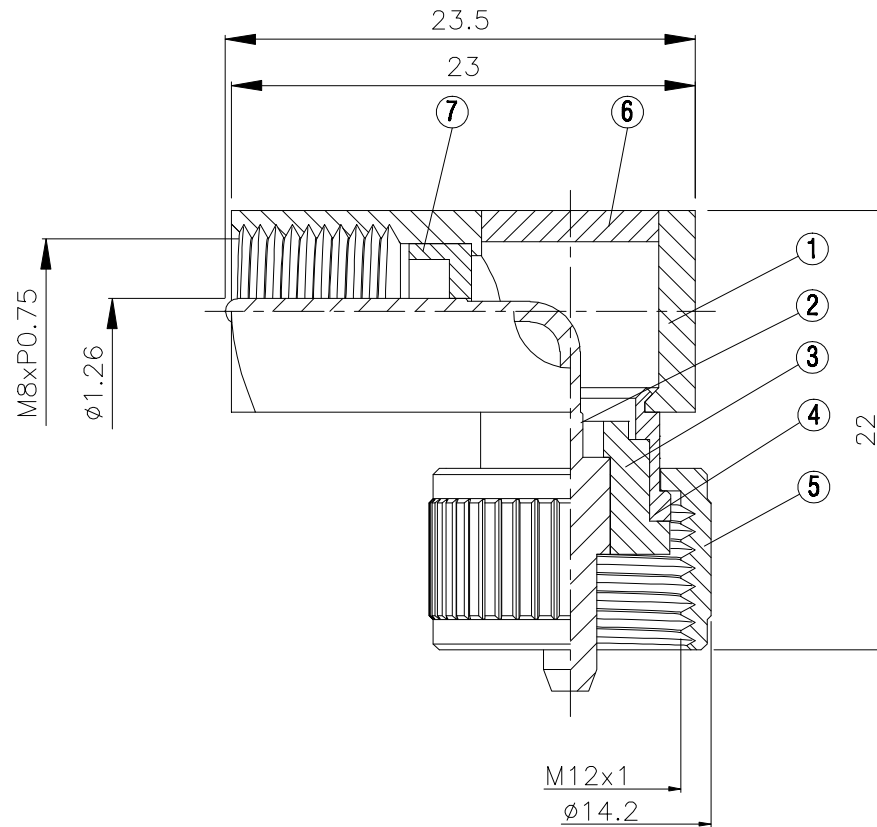
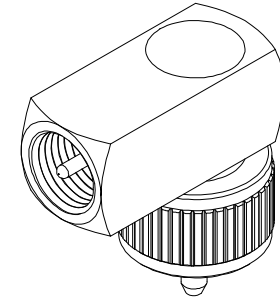
4

3

2

1

NO	DESCRIPTION	MATERIAL	Q'TY	FINISH	REMARK
1	BODY 1	BRASS	1	NICKEL	B-DM0946-N
2	PIN	BRASS	1	GOLD	P-DM1281-G
3	INSULATION 1	DELRIN	1	DELRIN	I-0287D
4	BODY 2	BRASS	1	NICKEL	B-DM0616-N
5	BODY 3	BRASS	1	NICKEL	B-DM0617-N
6	WASHER	BRASS	1	NICKEL	W-0105-N
7	INSULATION 2	DELRIN	1	DELRIN	I-0066D



HUS-TSAN GROUP CO., LTD.

P.O.BOX 40-76.TAINAN.TAIWAN,R.O.C.

TITLE
DM ADAPTORS

PART NO. DM-10-DGN

DRAWING NO. DM 10 DGN

DRAWN 林孟翰

DATE 103.10.24

CHECKED 林孟翰

DATE 103.10.24

Q.A. 莊千慧

DATE

APPROVAL 徐燦霖

DATE

REVISION

DATE

DIMENSIONS ARE IN MILLIMETERS

UNLESS OTHERWISE SPECIFIED
TOLERANCE

0.5-5=±0.2 120-315=±1

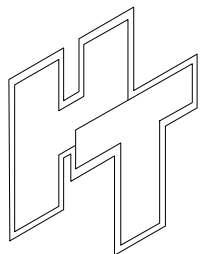
5-30=±0.4 315-1000=±1.6

30-120=±0.6 1000-2000=±2.4

SCALE 4:1 SIZE A

REVISION

DESCRIPTION ENGINEER



4

3

2

1

D

D

C

C

B

B

A

A